

Dual Spin Electric Mop User Manual

Read this manual carefully before using and keep it for future use.



Safety instructions

Read this manual before using the product

Warning: To avoid injury to yourself and others, and to avoid unnecessary property damage, read carefully before using the product and observe the following "Safety instructions". The safety instructions are divided into two sections, "Warning" and "Caution". The "Warning" and "Caution" sections contain important information for safe use of the product and must be followed.



Warning Instructions against incorrect product use that may lead to death or serious injury



Caution Instructions against incorrect product use that may lead to minor injury or product damage



Warning

1. Do not spray water on the main body of the dual spin electric mop or immerse the main body in water, otherwise it may cause electric shock or product damage.
2. Do not touch the curved part of the dual spin electric mop with your hands, otherwise it may cause injury.
3. Do not install the mop pads when the dual spin electric mop is in operation, otherwise it may cause injury.
4. Do not use this product to vacuum sharp objects such as glass fragments, wires, blades, etc., otherwise it may cause personal injury or product damage.
5. Do not remove the mop pads before the dual spin electric mop stops spinning completely, otherwise it may cause injury.
6. Watch your step if there is residual water on the floor after using the product to prevent slips.
7. This appliance is not intended for use by children or persons with reduced physical, sensory or mental capabilities, or lack of experience and knowledge, unless they have been given supervision.
8. This appliance can be used by children aged from 8 years and above and persons with reduced physical, sensory or mental capabilities or lack of experience and knowledge if they have been given supervision or instruction concerning use of the appliance in a safe way and understand the hazards involved. Cleaning and user maintenance shall not be made by children without supervision. Children should not play with the appliance.
9. This appliance contains batteries that are non-replaceable. when charging, no action needed from users to shift the adapter between 50 and 60Hz, adapter can adapt itself for both 50 and 60Hz.

WARNING: For the purposes of recharging the battery, only use the detachable supply unit provided with this appliance.

This appliance contains batteries that are non-replaceable.

when charging, no action needed from users to shift the adapter between 50 and 60Hz, adapter can adapt itself for both 50 and 60Hz.

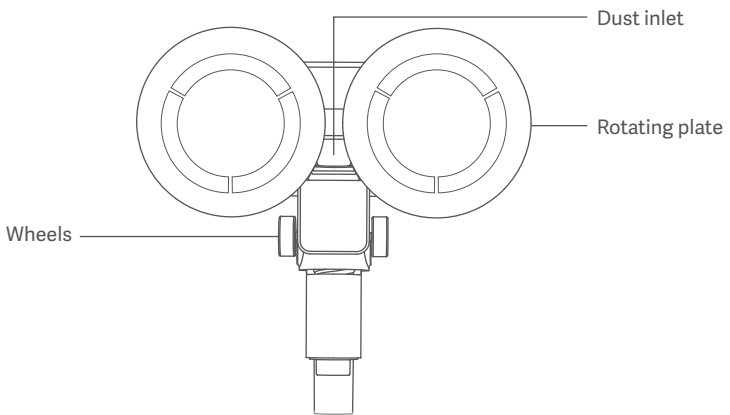
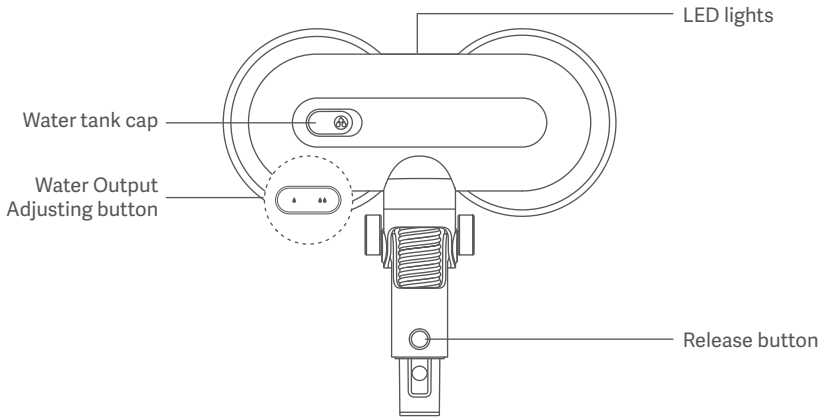


Caution

1. It is recommended to empty the water tank after using the dual spin electric mop to prevent water seeping and damaging the floor.
2. Do not expose the dual spin electric mop to the sun or store it at temperature below 0 °C, otherwise it may cause product damage.
3. Do not use the product to clean the same spot for a long time, otherwise it may damage the main unit.
4. Do not step on the vacuum head of the dual spin electric mop, otherwise it may cause product damage.
5. This product is not intended to use on carpets, otherwise it may damage the product or the carpets.
6. Do not use this product to vacuum liquids, otherwise it may cause product damage.
7. Two mop pads must be installed at the same time when using the dual spin electric mop, otherwise it may damage the floor.

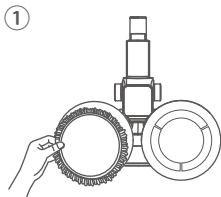
Overview

Main unit

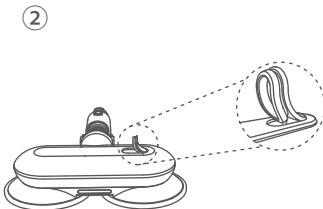


Installation and use

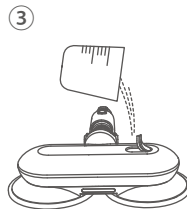
1) Installing mop pads and adding water



With the furry side facing outward, align the mop pad center with the rotating plate center, then attach the mop pad to the rotating plate.



Open the rubber cap of the water tank (from left to right as shown in the figure).



Use a measuring cup to 240ml fill clean water into the water tank.



Caution

1. The cleaning performance will be reduced, if the mop pads are not correctly attached to the rotating plates.
2. Do not fill the water tank by putting it directly under the tap water.
3. Do not add other stuff in the water tank to prevent blocking the water tank.
4. Empty the water tank after cleaning the floor.
5. Do not add water at temperature exceeding 50 °C. Adding other liquids will cause damage to the inside of the product.

2) Adjusting the water output



Press the button to switch to Small Water Output mode, the "one water drop" icon on the left lights up. This mode is used to clean floors that cannot get severely wet or to reduce the water output amount.



Press the button again to switch to Large Water Output mode, the "two water drops" icon on the right lights up. This mode is used to clean stubborn stains or to increase the water output amount.



Press the button once again to switch to No Water (or Dry) mode, the water drop icons light off.

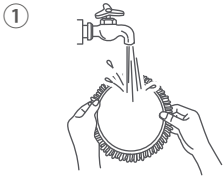


Caution

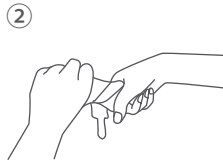
1. The water drop icon lights are Off by default when the product leaves the factory. Please adjust the water output amount by pressing the Water Output Adjusting button.
2. If the product may be stopped using for a long time, please switch the water drop icon lights to Off by pressing the Water Output Adjusting button to avoid malfunction.
3. Before moving the appliance or when you need to dry mop the floor, please switch the water drop icon lights to Off by pressing the Water Output Adjusting button.

Cleaning and maintenance

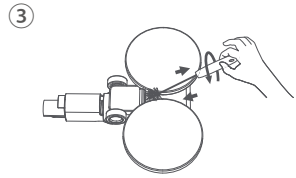
Manual cleaning



Wet the mop pad thoroughly and clean it.



Wring water out from the pad.



Insert the long cleaning brush into the dust inlet of the dual spin electric mop, then rotate the brush to remove the dust.



Caution

1. To dry mop the floor, just install the pad and start mopping, no need to wet it.
2. After cleaning the mop pads, be sure to thoroughly wring water out.
3. Do not use the long cleaning brush to clean items other than the dual spin electric mop.
4. Before using the long cleaning brush to clean the dual spin electric mop, make sure the appliance is turned off.
5. Keep the long cleaning brush dry. Do not wet the brush when using it to clean the dual spin electric mop.
6. After use, clean the long cleaning brush and dry it under the sun light, to prevent mold and odor.

Troubleshooting

When the dual spin electric mop cannot work normally, please troubleshoot by yourself or contact the customer service to help with troubleshooting

Error description	Cause	Solution
The dual spin electric mop does not spin.	Battery is too low.	Check if the vacuum cleaner has sufficient power. Recharge the battery fully before use.
No water sprayed from the water outlet.	The water outlet is blocked.	Clean the blocked water outlet, and check if there is water in the water tank.

Technical data

Product name	Dual spin electric mop	Product model	XCQXZDS01*
Rated operating voltage	28.8 V ⁼⁼	Rated power	30 W
Rated rotating speed	>200 r/min	Dimensions	ca. 290 x 78 x 295 mm
Net weight	ca. 1.25 kg	Water tank capacity	ca. 240 ml
Voltage of water pump	3 V ⁼⁼	Noise level	<70 dB(A)

“*” symbol indicates the product color, e.g. B = black, W = white, G = gray, P = purple.

Warranty and limitations of liability

This product is guaranteed for a period of 12 months (defined by local law) from the date of purchase against any failure resulting from manufacturing or material defects.

This warranty does not cover damage caused by improper installation, improper use, or normal wear and tear of the product.

More specifically, the warranty does not cover:

- Damage or problems caused by improper use, accident, alteration or electrical connection of improper intensity or voltage.
- Modified products, those whose warranty seal or serial number have been damaged, altered, removed or oxidized.
- Failure of the battery due to overcharging or failure to observe the safety instructions explained in the instruction manual.
- Cosmetic damage, including scratches, dents, or any other element.
- Damage caused by any intervention carried out by an unauthorised person.
- Defects caused by normal wear and tear or due to normal ageing of the product.
- Software updates due to a change in network settings.
- Product failures due to the use of third party software to modify, change or adapt the existing software.
- Product failures caused by use without accessories approved by the manufacturer.
- Oxidised products.

Terms and conditions of implementation:

To obtain a warranty service, you are requested to return your product to the customer service desk of your retail outlet with your proof of purchase (receipt, invoice, ...), the product and its supplied accessories, with its original packaging.

It is important to have the date of purchase, the model and the serial or IMEI number on hand as information (this information usually appears on the product, the packaging or your proof of purchase).

Failing this, you must return the product with the accessories necessary for its proper operation (power supply, adaptor, etc.).

In the event that your claim is covered by the warranty, the after-sales service may, within the limits of local law, either:

- Repair or replace defective parts.
- Exchange the returned product with a product that has at least the same functionality and that is equivalent in terms of performance.
- Refund the product at the purchase price of the product mentioned on the proof of purchase.

If one of these 3 solutions is used, this does not give rise to the extension or renewal of the warranty period.

Warranty card

Customer name		Product name and model	
Mailing address		Main unit serial number	
Contact information		Purchase date	


This warranty card contains customers' personal information, keep it safe.

Maintenance records

Servicing center	Fault description	Replacement parts	Servicing engineer	Servicing date

EN

Disposal

Correct disposal of this product	
	<p>This marking indicates that this product should not be disposed with other household wastes throughout the EU. To prevent possible harm to the environment or human health from uncontrolled waste disposal, recycle it responsibly to promote the sustainable reuse of material resources. To return your used device, please use the return and collection systems or contact the retailer where the product was purchased. They can take this product for environmental safe recycling.</p>



Manufacturer:ROIDMI Information Technology Co., Ltd.
 Address:4F,C8 Building,No.1699 Huishan Road,Life Science and Technology
 Park,Huishan District,Wuxi,Jiangsu,PRC
 Executive standard:Q/320206 WXRM004
 Website:www.roidmi.com
 Service email:wxm@roidmi.com
 Version:V3.0 02.2021

